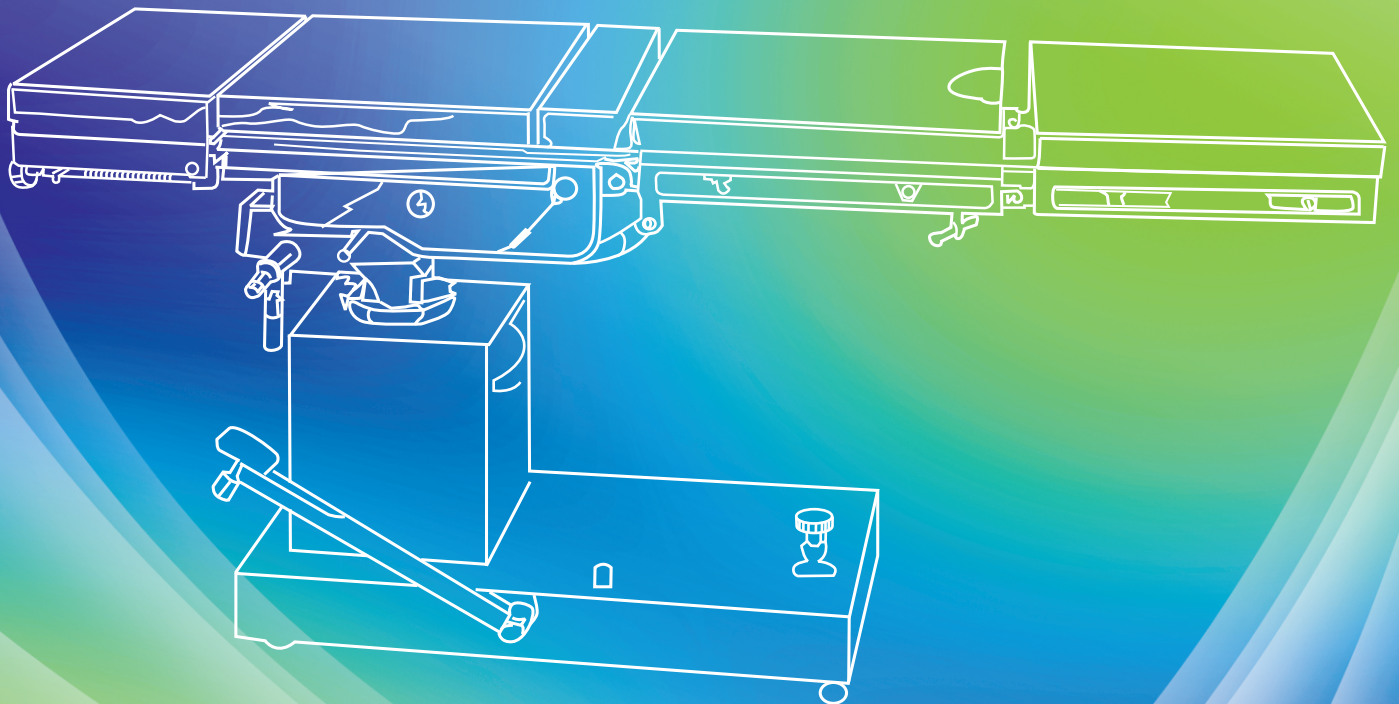
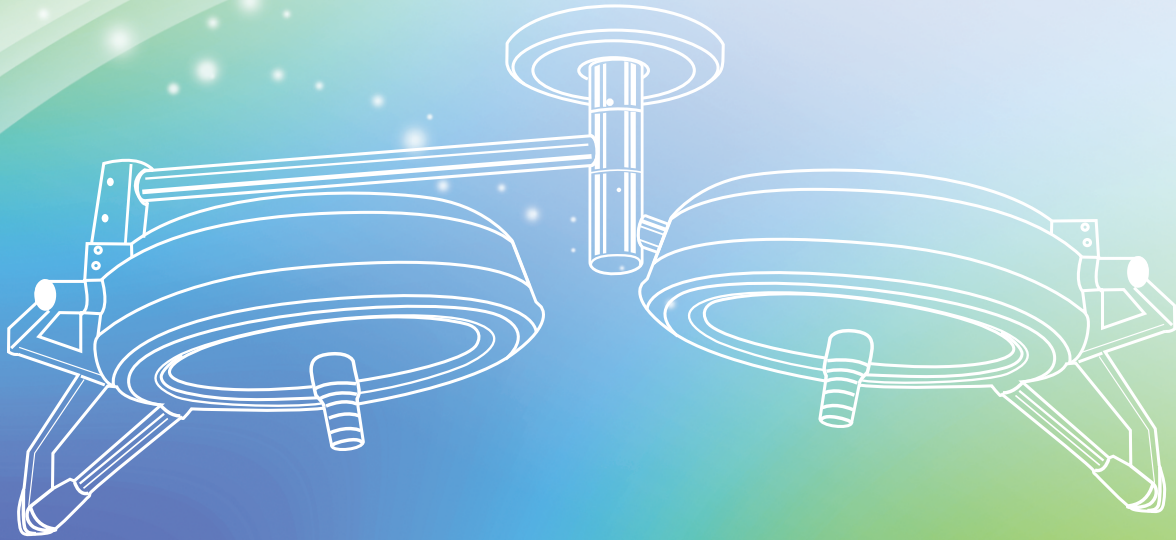


WARDEN SURGICAL CO. PVT. LTD.

ISO 9001 : 2008, ISO 13485, CE CERTIFIED



OPERATION THEATRE LIGHTS & TABLES





WHE - 6

O. T. Light (Twin) 14" Dome

- Mirror polished Aluminium lamp head of 14" (360mm)
- Fitted with 24V-100W Halogen Lamp.
- Light weight and easily maneuverable.
- Sterilizable handle.
- Twin mounting on ceiling.
- Spring operated balancing mechanism for smooth positioning without drift.
- Horizontal rotation and height adjustments.
- Direction control, lateral tilting.
- Provided with standby lamp.
- Light Intensity – 60,000 lux \pm 10% at 90 cms.

WHE - 8

20" Ceiling O. T. Light

- Mirror polished Aluminium lamp head of 20" (508mm)
- Fitted with 24V - 150W Halogen Lamp.
- Heat absorbing and colour correcting special filter.
- Sterilizable Central handle.
- Single / Twin mounting on ceiling.
- Spring operated balancing mechanism for smooth positioning without drift.
- Horizontal rotation and height adjustments.
- Direction control, lateral tilting.
- Provided with standby lamp.
- Light Intensity – 50,000 lux \pm 10% at 90 cms.



WHE - 18

20" Ceiling O.T. Light (Fibre Dome)

- Fibre casted Dome - light weight for easy movement.
- Fitted with imported Dichroic reflector.
- Fitted with 24V - 150W Halogen Lamp.
- Sterilizable Central handle.
- Spring operated balancing mechanism for smooth positioning without drift.
- Horizontal rotation and height adjustments.
- Direction control, lateral tilting.
- Provided with standby lamp.
- Light Intensity 90,000 \pm 10% at 90 cms.



Also Available with Electronic Light Intensity controller.



WHE - 19

20" Ceiling O.T. Light (Twin) Fibre dome

- Fibre casted Double Domes light weight for easy movement.
- Each Dome fitted with imported Dichroic reflector.
- Fitted with 24V – 150W Halogen Lamp in each dome.
- Sterilizable central handle in each dome.
- Spring operated balancing mechanism for smooth positioning without drift.
- Horizontal rotation and height adjustments.
- Direction control, lateral tilting.
- Provided with standby lamp in each dome.
- Light Intensity 1,80,000 Lux \pm 10% at 90 cms.

Also available with Electronic Light Intensity Controller in each dome.

WHE - 11

22" ceiling O. T. Light with 3 reflector (Fibre dome)

- Fibre casted Dome of 22" with 3 reflectors.
- Fitted with 24V-70W x 3 Halogen Lamp.
- Fitted with imported Dichroic reflectors.
- Sterilizable Central handle.
- Single / Twin mounting on ceiling.
- Spring operated balancing mechanism for smooth positioning without drift.
- Horizontal rotation and height adjustments.
- Direction control, lateral tilting.
- Light Intensity 60,000 lux \pm 10% at 90 cms.



WHE - 13

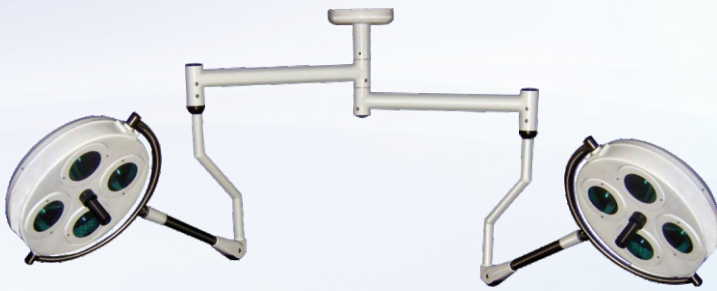
22" ceiling O.T. Light (4 Reflector)

- Four mirror polished Aluminium reflectors of 8" dia enclosed in 22" dia (560 mm) dome.
- Fitted with 24V – 70W x 4 Halogen Lamp.
- Heat absorbing and colour correcting special filters.
- Sterilizable Central handle.
- Mounted on ceiling.
- Spring operated balancing mechanism for smooth positioning without drift.
- Horizontal rotation and height adjustments.
- Direction control, lateral tilting.
- Light Intensity 50,000lux \pm 10% at 90 cms.

Also available in fibre dome,

Light Intensity 80,000 lux \pm 10% @ 90 cms.





WHE - 14

22" Ceiling O.T. Light (Twin)

4 + 4 reflector

- Each dome consists of four mirror polished Aluminium reflectors of 8" dia enclosed in 22" dia (560 mm) dome.
- Fitted with 24V – 70W x 8 Halogen Lamp.
- Heat absorbing and colour correcting special filters.
- Sterilizable Central handle in each dome.
- Spring operated balancing mechanism for smooth positioning without drift.
- Horizontal rotation and height adjustments.
- Direction control, lateral tilting.
- Light Intensity 1,00,000 lux \pm 10% at 90 cms.

Also available in fibre dome,

Light Intensity 1, 60,000 lux \pm 10% @ 90 cms.



WHE - 5

14" Mobile O. T. Light

- Mirror polished Aluminium lamp head of 14" (360mm)
- Fitted with 24V-100W Halogen Lamp.
- Light weight and easily maneuverable.
- Sterilizable Central handle.
- Spring operated balancing mechanism for smooth positioning without drift.
- Horizontal rotation and height adjustments.
- Direction control, lateral tilting.
- Provided with standby lamp.
- Light Intensity – 30,000 lux \pm 10% at 90cms

WHE - 16

Ceiling O. T. Light (7 + 4 reflector)

- Seven Mirror polished Aluminium reflectors enclosed in 28" dia (700mm) Dome.
- Four Mirror polished Aluminium reflectors enclosed in 22" dia (560mm) Dome .
- Heat absorbing and colour correcting special filters.
- Sterilizable Central handle in each dome.
- Spring operated balancing mechanism for smooth positioning without drift.
- Horizontal rotation and height adjustments.
- Direction control, lateral tilting.
- Light Intensity 1,25,000 lux \pm 10% at 90cms.

Also available in fibre dome,

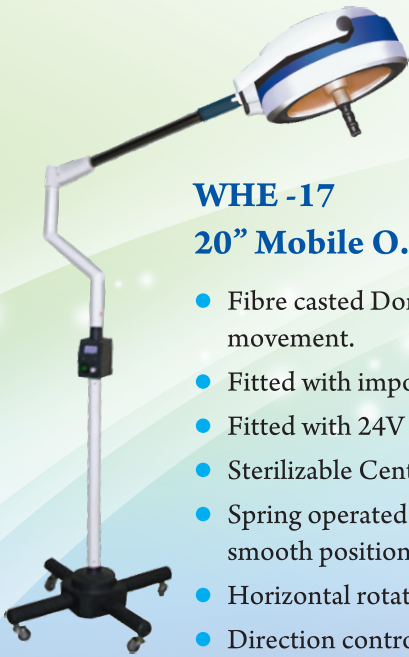
Light Intensity 2, 00,000 lux \pm 10% @ 90 cms.



WHE -7

20" Mobile O. T. Light

- Mirror polished Aluminium lamp head of 20" (508mm)
- Fitted with 24V - 150W Halogen Lamp.
- Heat absorbing and colour correcting special filter.
- Sterilizable Central handle.
- Spring operated balancing mechanism for smooth positioning without drift.
- Horizontal rotation and height adjustments.
- Direction control, lateral tilting.
- Provided with standby lamp.
- Light Intensity – 50,000 lux \pm 10% at 90 cms.



WHE - 17

20" Mobile O.T. Light (Fibre dome)

- Fibre casted Dome - light weight for easy movement.
- Fitted with imported Dichroic reflector.
- Fitted with 24V - 150W Halogen Lamp.
- Sterilizable Central handle.
- Spring operated balancing mechanism for smooth positioning without drift.
- Horizontal rotation and height adjustments.
- Direction control, lateral tilting.
- Provided with standby lamp.
- Light Intensity 90,000 lux \pm 10% at 90 cms.



WHE - 10

22" Stand Model O. T. Light with 3 reflector (Fibre dome)

- Fibre casted Dome of 22" with 3 reflectors
- Fitted with 24V-70W x 3 Halogen lamp
- Fitted with imported Dichroic reflectors.
- Sterilizable Central handle.
- Spring operated balancing mechanism for smooth positioning without drift.
- Horizontal rotation and height adjustments.
- Direction control, lateral tilting.
- Light Intensity 60,000 lux \pm 10% at 90 cms.



WHE - 12

22" Mobile O. T. Light (4 reflector)

- Four mirror polished Aluminium reflectors of 8" dia enclosed in 22" dia (560 mm) dome.
- Fitted with 24V - 70W x 4 Halogen Lamp
- Heat absorbing and colour correcting special filters.
- Sterilizable Central handle.
- Spring operated balancing mechanism for smooth positioning without drift.
- Horizontal rotation and height adjustments.
- Direction control, lateral tilting.
- Light Intensity 50,000 lux \pm 10% at 90 cms.

- The Dichroic reflectors have been able to control Infra Red Rays upto 95% in bigger lights & 75% in smaller lights thereby providing a color temperature of 4300K & CRI of 93.
- The heat spots formed by heat energy produced by halogen bulb on the reflector and other components are effectively removed with the help of inner convection circuit.



C-Arm Compatible O. T. Table (Electrically operated)

WHE - 27

Salient Features

- The Electro-Mechanical driving mechanism assures smooth and quiet movements of the table top.
- Operating positions including Height Adjustment, Trendelenburg / Reverse Trendelenburg, Lateral Tilt and Back section can be controlled quickly and accurately with the help of light weight Hand Control Unit. Manual operated built in Kidney bridge provided.
- The eccentrically positioned Table Top without cross members to optimize image intensifier accessibility for both A/P & Lateral Exposures.
- The Table Top is made of Radio-translucent material for Fluroscopic capability.
- Interchangeable Head and Leg sections and both are manually operated by the means of precise ratchet system.
- Heavy mild steel base with nylon wheels for easy mobility or stability with single action foot actuated floor locking device.
- Base and Column covers are made of stainless steel for easy cleaning and hygiene.
- Also optionally available with horizontal sliding motion of table top.



Technical Data

1. Overall Length of the Table Top - 2150mm
2. Overall width of the Table Top - 510mm
3. Height Adjustment - 30"-42"
4. Trendelenburg - 25°
5. Rev. Trendelenburg - 25°
6. Lateral Tilt - $\pm 20^\circ$
7. Back Section - $\pm 60^\circ$
8. Leg Section - 0° / 90°

Additional List of Accessories

- Mattress 50mm thick electrically sealed.
- Side support – 2 nos.
- Shoulder support – 2 nos.
- Padded Lithotomy stirrups – 2 nos.
- Anaesthetic Screen – 1 no.
- Arm Rest – 2 nos.

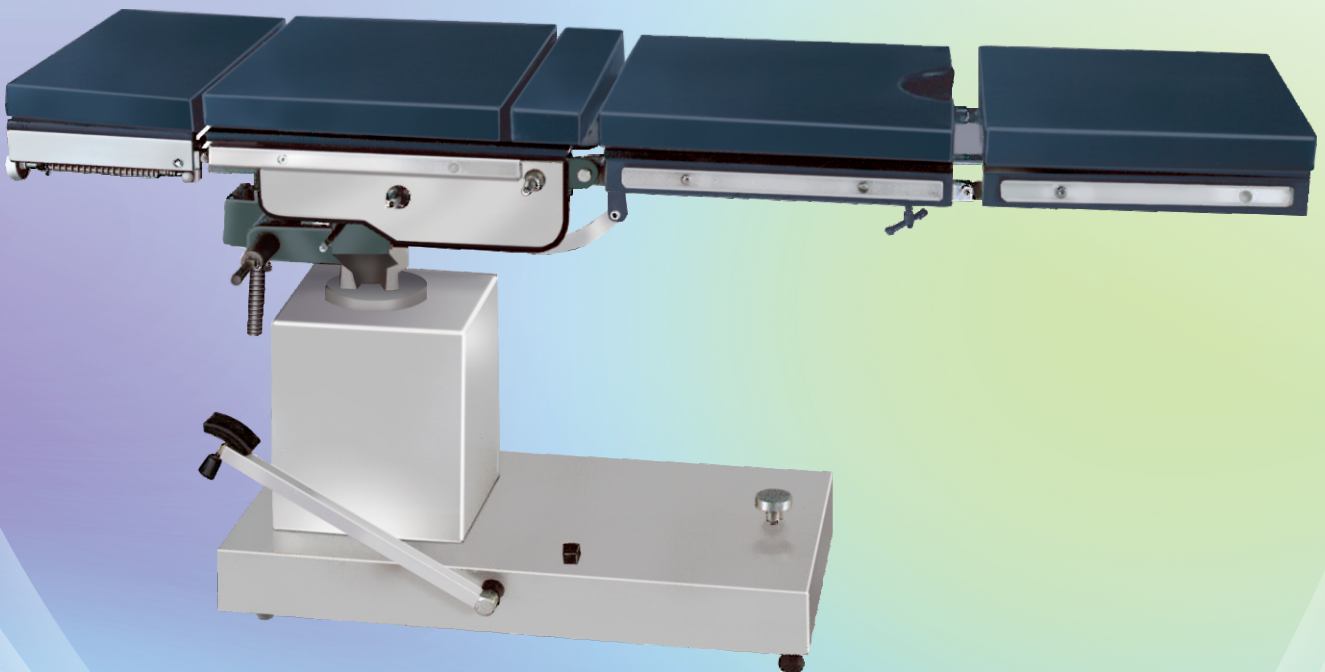


C-Arm Compatible O. T. Table (Manually operated)

WHE - 26

Salient Features

- Five Section top with cut for perineal drainage and built in kidney bridge.
- Sophisticated mechanics provide smooth, stepless articulation of the table top for precise patient positioning.
- Radio translucent top in five sections for use of C-Arm image intensifier.
- Durable heavy duty leak proof hydraulic pump with four pillars.
- Eccentric top and Hydraulic chamber adjusted at one side of base for maximum use of C-Arm image intensifier.
- Changeable oil valve for up & down movement of hydraulic pump
- Interchangeable head and leg sections.
- Heavy duty mild steel base with nylon wheels for easy mobility or stability with single action foot activated floor locking.
- Base and Column covers are made of stainless steel for easy cleaning and hygiene.



Additional List of Accessories

- Mattress 50mm thick electrically sealed.
- Side support – 2 nos.
- Shoulder support – 2 nos.
- Padded Lithotomy stirrups – 2 nos.
- Anaesthetic Screen – 1 no.
- Arm Rest – 2 nos.

Technical Data

1. Overall Length of the Table Top - 2150mm
2. Overall width of the Table Top - 510mm
3. Height Adjustment - 30"-42"
4. Trendelenburg - 25°
5. Rev. Trendelenburg - 25°
6. Lateral Tilt - $\pm 20^\circ$
7. Back Section - $\pm 60^\circ$
8. Leg Section - $0^\circ / 90^\circ$



C-Arm compatible O.T. Table with Ortho Attachment

Salient Features

- The Electro-Mechanical driving mechanism assures smooth and quiet movements of the table top.
- Operating positions including Height Adjustment, Trendelenburg / Reverse Trendelenburg, Lateral Tilt and Back section can be controlled quickly and accurately with the help of light weight Hand Control Unit. Manual operated built in Kidney bridge provided.
- The eccentrically positioned Table Top without cross members to optimize image intensifier accessibility for both A/P & Lateral Exposures.
- The Table Top is made of Radio-translucent material for Fluroscopic capability.
- Interchangeable Head and Leg sections and both are manually operated by the means of precise ratchet system.
- Heavy mild steel base with nylon wheels for easy mobility or stability with single action foot actuated floor locking device.
- Base and Column covers are made of stainless steel for easy cleaning and hygiene.
- Compatible for orthopaedic attachment.
- Most useful for orthopaedic surgery.
- Specially designed for intra operative X-ray & C-arm image intensifier.
- X-ray translucent removable pelvic rest with special arrangement for orthopaedic operation.
- Padded orthopedic knee crutches provides support to the legs of patient.
- Two traction devices sliding supports with ball joint allowing flexion and rotation of foot with traction shoes



WHE - 28 Floor Model

Additional List of Accessories

- Mattress 50mm thick electrically sealed.
- Side support – 2 nos.
- Shoulder support – 2 nos.
- Padded Lithotomy stirrups – 2 nos.
- Anaesthetic Screen – 1 no.
- Arm Rest – 2 nos.



WHE - 29 Hanging Type



Hydraulic Operation Table (Side end control)

WHE - 25

Salient Features

- Five section SS Top with large cut for perineal drainage, built in Kidney bridge, both side controls.
- Sophisticated mechanics provide smooth, stepless articulation of the table top for precise patient positioning.
- Stepless articulation of the table top for precise patient positioning.
- Durable heavy duty leak proof hydraulic pump with double cylinder concealed in central chamber
- Heavy mild steel base with nylon wheels for easy mobility or stability with single action foot actuated floor locking
- Base and column covers are made of stainless steel for easy cleaning and hygiene.



Additional List of Accessories

- Mattress 50mm thick electrically sealed.
- Side support – 2 nos.
- Shoulder support – 2 nos.
- Padded Lithotomy stirrups – 2 nos.
- Anaesthetic Screen – 1 no.
- Arm Rest – 2nos.

Technical Data

1. Overall Length of the Table Top -2150mm
2. Overall width of the Table Top - 510mm
3. Height Adjustment - 30"-42"
4. Trendelenburg - 25°
5. Rev. Trendelenburg - 25°
6. Lateral Tilt - $\pm 20^\circ$
7. Back Section - $\pm 60^\circ$
8. Leg Section - $0^\circ / 90^\circ$



Neuro Surgery Attachment

We offer a supreme range of Three Pin Head Mayfield Neuro Attachment, which is suitable for brain surgery. This Neuro attachment has been developed & manufactured with innovative quality to meet the demanding needs of Neurosurgeons.



WHE - 38

Three Pin Head Neuro Attachment

Features :

- The skull clamp has the additional feature of a swiveling C-ARM.
- This swiveling capacity greatly facilitates positioning the pins on the head round nerves, vessels, and thin bone in the temporal region.
- For better result, the arm is locked by control knob and the width is adjusted by a ratchet mechanism.
- The three cone-shaped pins available in adult and child sizes are



WHE - 39

U Shape Neuro Attachment

Features :

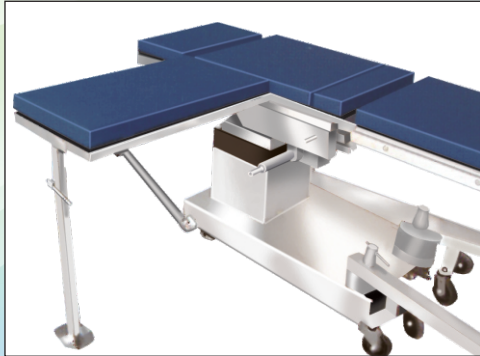
- This attachment, originally designed for transphenoidal hypophysectomy is used for all prone position procedures.
- It is attached to the Adjustable Basic Unit by means of transitional member.
- It is padded with soft, pliable sponge rubber for equalized weight distribution.

WHE - 40 Accessories Stand





Optional Attachments for various Surgery



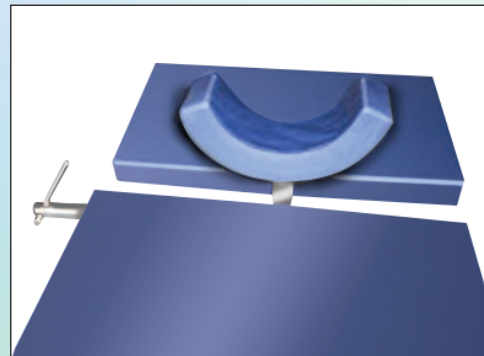
WHE - 30 Hand Surgery Attachment



WHE - 31 Hand Traction Unit



WHE - 32 Finger Traction



WHE - 33 Neck Elevator



WHE - 34 Shoulder Elevator



WHE - 35 Lateral Cassette Holder

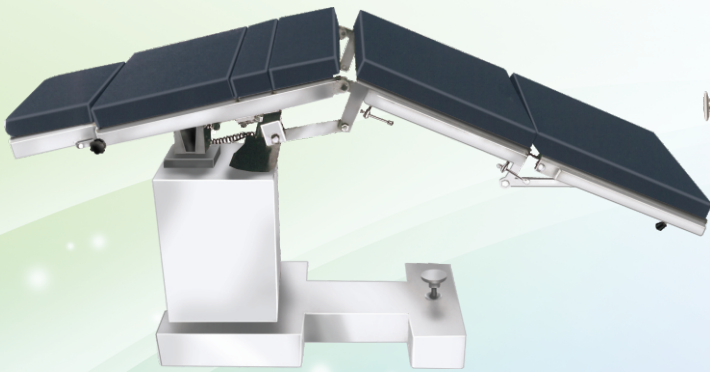


WHE - 36 Knee Chest Position for Spine

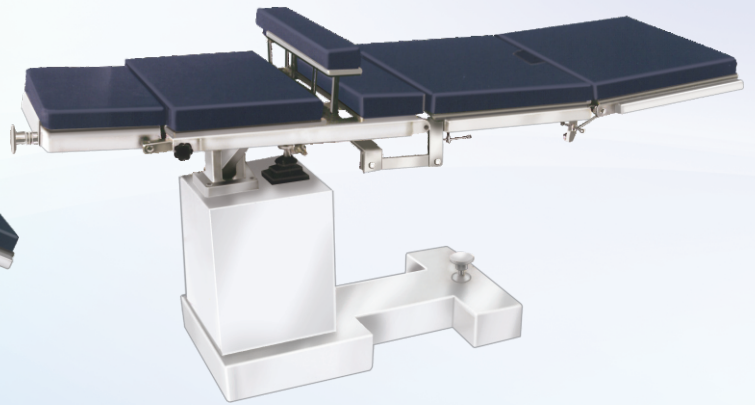


WHE - 37 Body Elevator

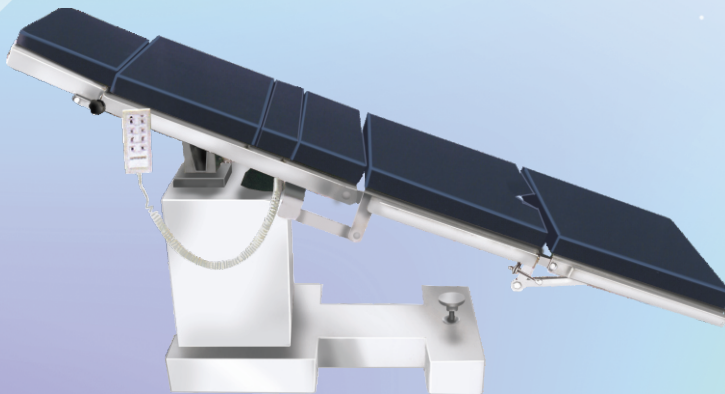
Various Positions attained by the Tables



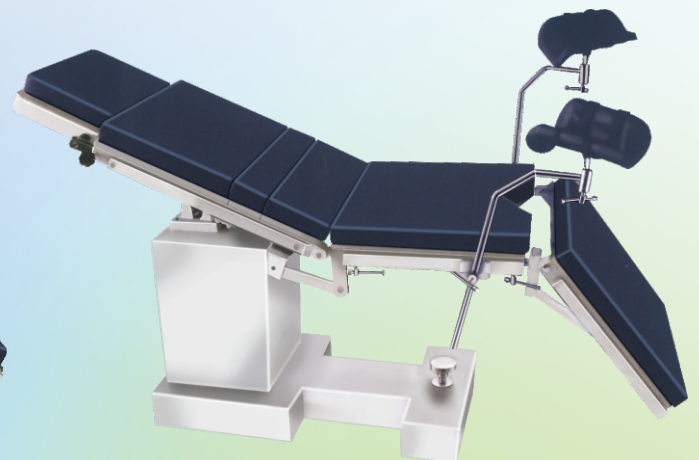
Flex and Reflex



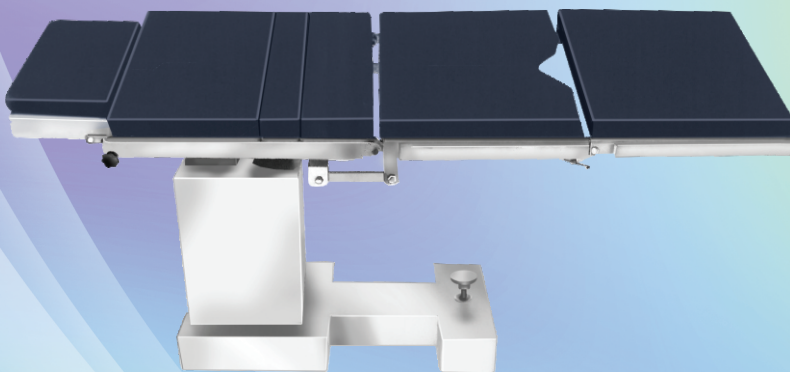
Kidney Bridge (Inbuilt)



Trend / Rev. Trend



Lithotomy Position



Lateral Tilt (Both Side)



Chair Position



WARDEN SURGICAL CO. PVT. LTD.

Manufacturers & Suppliers of Surgical / Laparoscopy Instruments, Hospital Furniture,
Equipments & Solar / Renewable Energy Conservation Products

75 / 76, Jawahar Co. Op. Industrial Estate, Kamothe, Panvel, Navi Mumbai, Maharashtra 410 209.

Tel.: 2743 1686, Telefax : 2743 5940.

Email : sales@wardensurgical.com Url : www.wardensurgical.com